

USER MANUAL

Software update

Index

1	Download and use of the software	2
2	Updating the Agrónic 2500.....	4
3	Updating the Agrónic 4500.....	6
3.1.	Updating the relay base of the Agrónic 4500 and Expansion module ME2...8	
4	Updating the Expansion module ME1	10
5	Updating the Agrónic 5500.....	12
5.1.	Updating the relay base of the Agrónic 5500.....	14
6	Updating the Agrónic Bit	16
7	Updating the AgroBee-L	18
7.1.	Updating the wireless reader	20
8	Updating the multifunction transmitter.....	22

1 DOWNLOAD AND USE OF THE SOFTWARE

The purpose of the program is to update the software of the Agrónic or device, allowing improvements in its operation and the correction of possible faults.

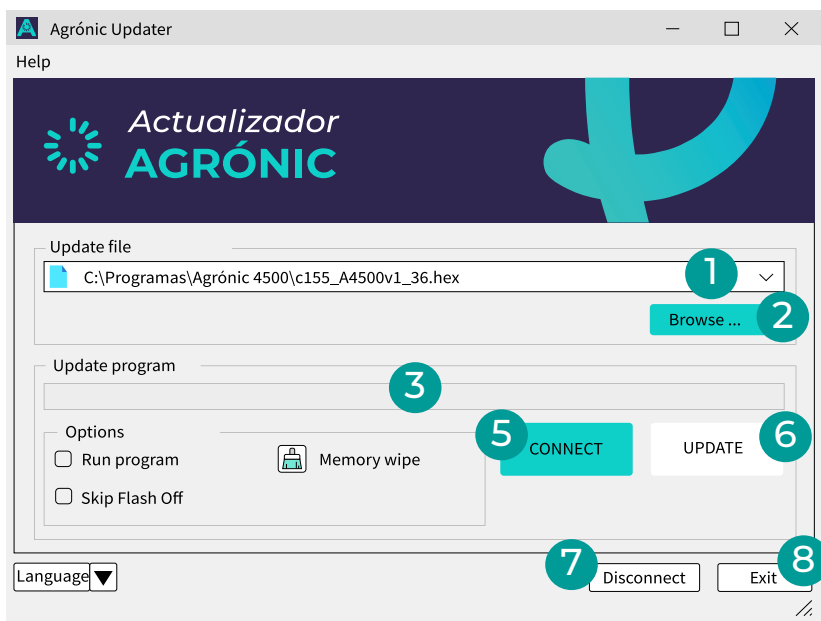
Below you will find a link to download the 'Agrónic Updater' program in 32 or 64 bit.

Software 64 bits

Software 32 bits

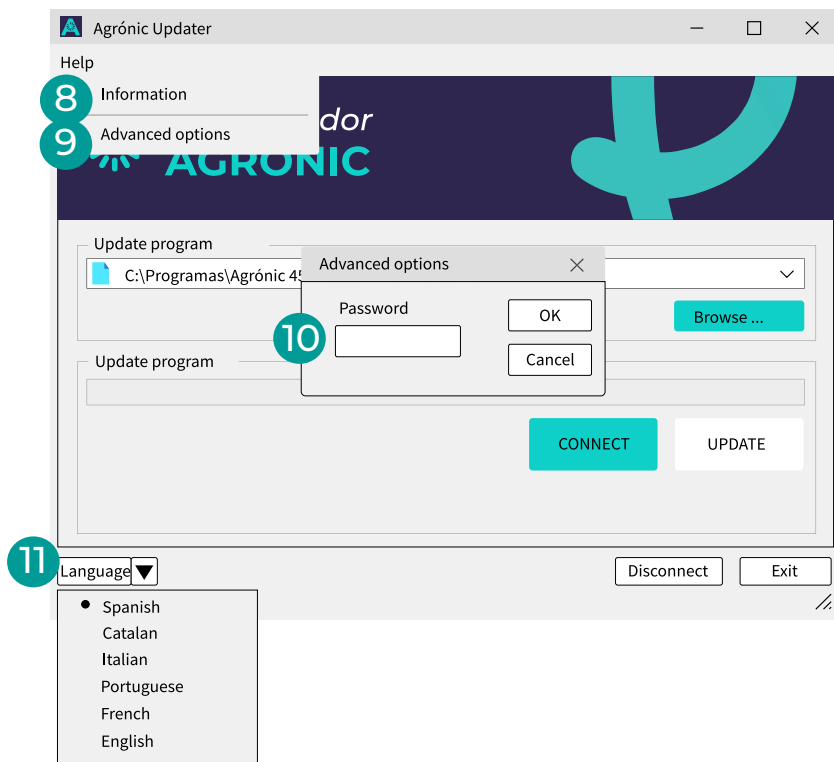
Once the file has been downloaded, unzip it and follow the steps to install and start the software.

Below is an explanation of what each tab is for:



- 1 Updated file name: Shows the name of the file corresponding to the last update performed. By clicking the drop down arrow, you can access the history of previous updates.
- 2 Browse: Allows you to search for and select the file needed to update the device.
- 3 Progress bar: Visually indicates the progress of the update process.

- 4 **Connect:** Starts the connection between the PC and the device to be updated.
- 5 **Update:** This option turns green when a connection is established between the PC and the device.
- 6 **Disconnect:** Ends the connection between the PC and the device.
- 7 **Exit:** Closes the 'Agrónic Updater' application



- 8 **Information:** Shows the current version installed of the 'Agrónic Updater' program.
- 9 **Advanced options:** When enabled, a password **10** is requested that allows additional functions to be displayed within the 'Options' menu.
- 11 **Language:** Allows you to change the program language among the following options: Spanish, Catalan, Italian, Portuguese, French, and English.

2 UPDATING THE AGRÓNIC 2500

To update the Agrónic 2500, it is necessary to download the corresponding version from the links indicated below, have a USB to mini USB cable, and have internet access. Before that, we must know the **current version of the controller**, since depending on it we will download one file or another.

To find out the Agrónic version:

'**CON - Agrónic**' and press '**Enter**'.

```
AGRÓNIC 2500 CONSULTATION
```

```
NS: 12345 V:3.61
```

```
PLUS V.Sal.: si
```

```
Vcc: 12.2 V
```

```
Modem
```

```
AgroBee-L 868
```

To find out the type of Agrónic micro:

'**CON - Agrónic**' and press '**1**'.

```
INTERNAL CONSULTATION
```

```
Ver. IAP: 2.01
```

```
PCB: c154
```

```
FRAM: 72 %
```

```
ED: 000000
```

Agrónic 2500 v1 o v2

"c110_A2500_RE.hex"



For Agrónic 2500 with Version 1 o 2

Agrónic 2500 v3 Micro STM32L4

"c154_A2500_V3_L4.hex"



For Agrónic 2500 with Version 3

Agrónic 2500 v103 Micro STM32F1

"c154_A2500_V3_F103.hex"



For Agrónic 2500 with Version 103

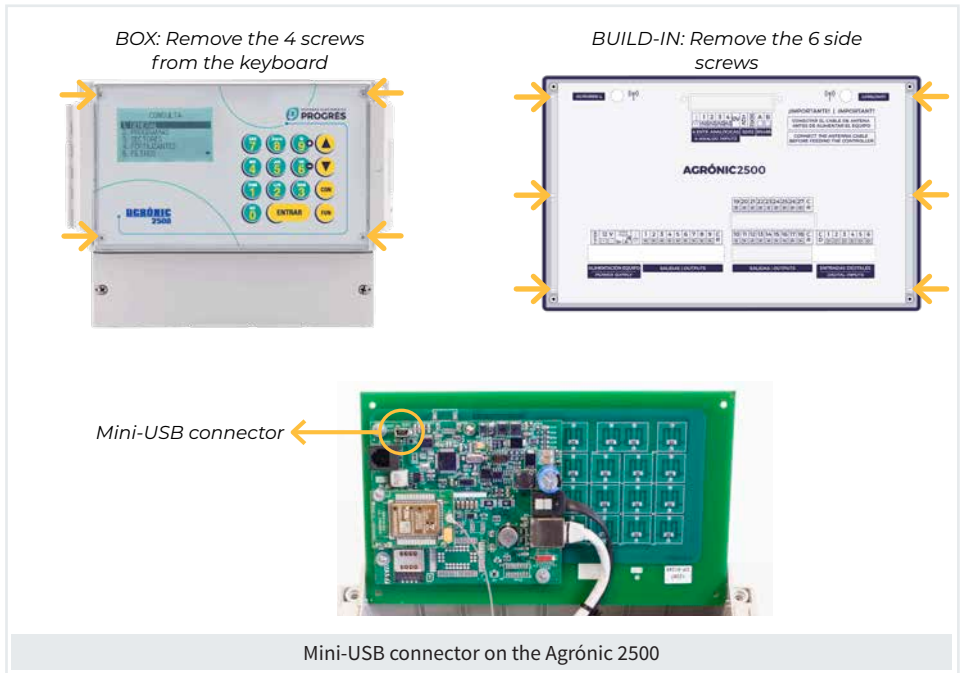


Important

- Do not install a v1/v2 version on a unit with version v3 o v103, or vice versa. Otherwise, the unit could lock up and it would be necessary to send it to the factory for repair.
- On units with a version lower than 1.54, all unit data such as programs, logs, etc. will be erased with no possibility of making a backup.
- This update update is only available for versions with RE micro. If your unit uses the RC version and you want to update it, you must send the unit to Progrés. The RC version corresponds approximately to the first 1000 units manufactured.

Once the corresponding software has been downloaded, follow the steps below to perform the update:

- **AGRÓNIC:** Open the controller to access its interior and connect the mini USB cable to the corresponding connector on the board.



- **AGRÓNIC:** With the unit powered, go to the menu: 'FUN - 4. Parameters - Installer (code: 0429) - 8. Update software'. Confirm both questions that appear on the screen.
- **COMPUTER:** Run the 'Agrónic Updater' program.
- **COMPUTER:** Click 'Browse' and select the previously downloaded file.
- Connect the USB to mini USB cable between the computer and the Agrónic.
- **COMPUTER:** Press the 'Connect' button and check that the 'Update' button changes to green.
- **COMPUTER:** Press 'Update' and wait for the process to finish completely (track it using the progress bar). Once finished, if the unit does not restart by itself, disconnect it from the power supply and reconnect it manually.
- **AGRÓNIC:** Verify that the version has been correctly updated by going again to the 'CON - Agrónic' section.

3 UPDATING THE AGRÓNIC 4500

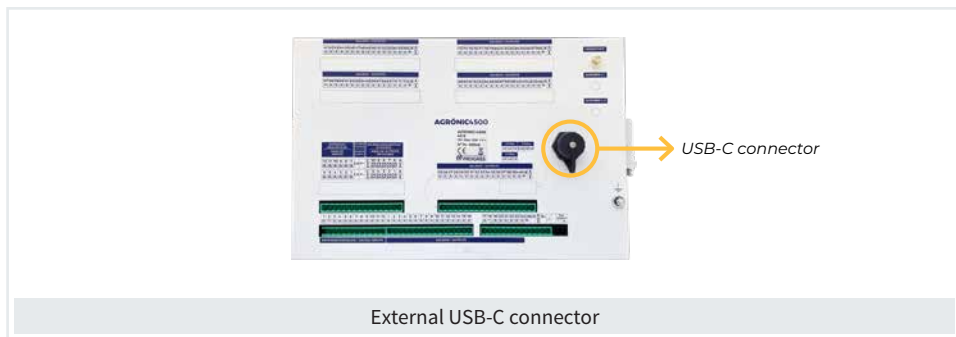
To update the Agrónic 4500, it is necessary to download the corresponding version from the link indicated below, have a USB C or mini USB cable, and have internet access.

Agrónic 4500 Version

Two situations may occur when updating the Agrónic, depending on the controller model:

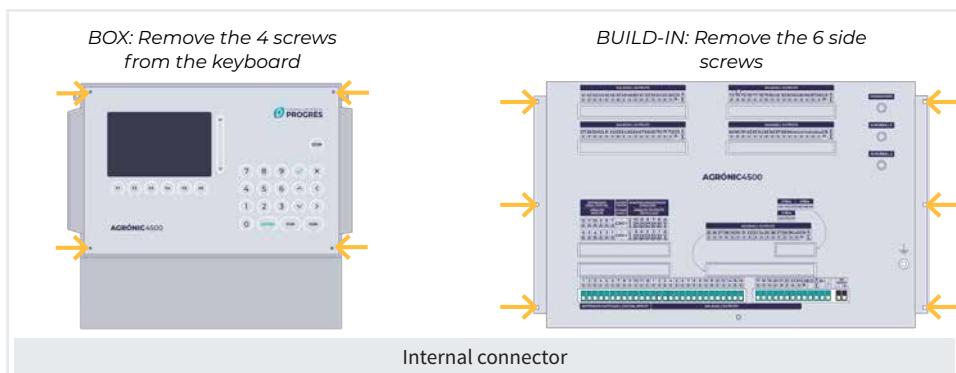
1. The controller has an external connector:

- In this case, it is sufficient to use a USB C (to the controller) to USB (to the computer) cable to perform the update without needing to open the unit.

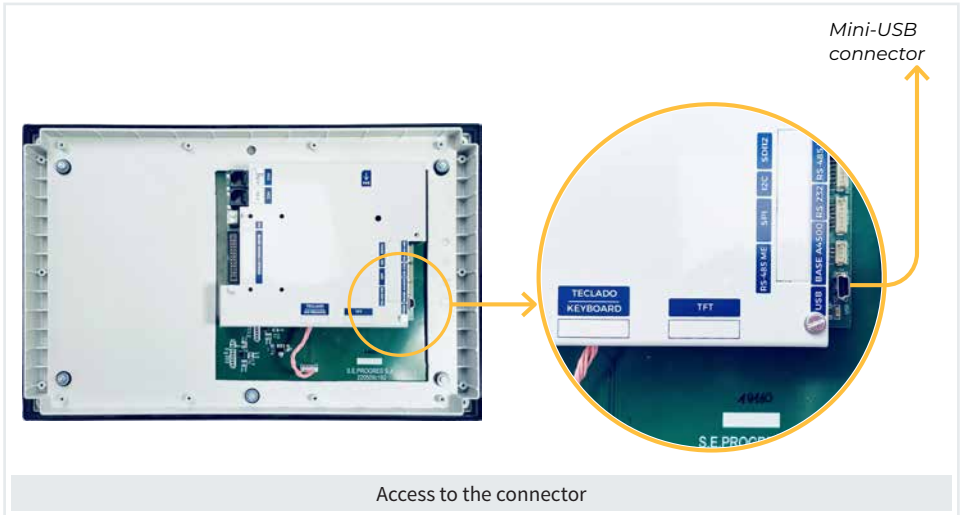


2. The controller does not have an external connector:


- In this case, it will be necessary to use a USB to mini USB cable and also remove the controller screws to access the internal board.



- Open the Agrónic 4500 to gain access to the interior and connect the USB cable to the mini USB connector housed on the micro board.



Once the software has been downloaded, follow the steps below to perform the update:

- **AGRÓNIC:** Go to **'Function - 4. Parameters - 15. Installer (code 0429) - 12. Update software - 1. USB'** and confirm the double question with the key 
- **COMPUTER:** Run the 'Agrónic Updater' program.
- **COMPUTER:** Click 'Browse' and select the previously downloaded file.
- Connect the USB to mini USB cable between the computer and the Agrónic.
- **COMPUTER:** Press the 'Connect' button and check that the 'Update' button changes to green.
- **COMPUTER:** Press 'Update' and wait for the process to finish completely (track it using the progress bar). Once finished, if the unit does not restart by itself disconnect it from the power supply and reconnect it manually.
- **AGRÓNIC:** Verify that the version has been correctly updated by going again to the **'CON - Agrónic'** section.
- **AGRÓNIC:** Refit the screws.

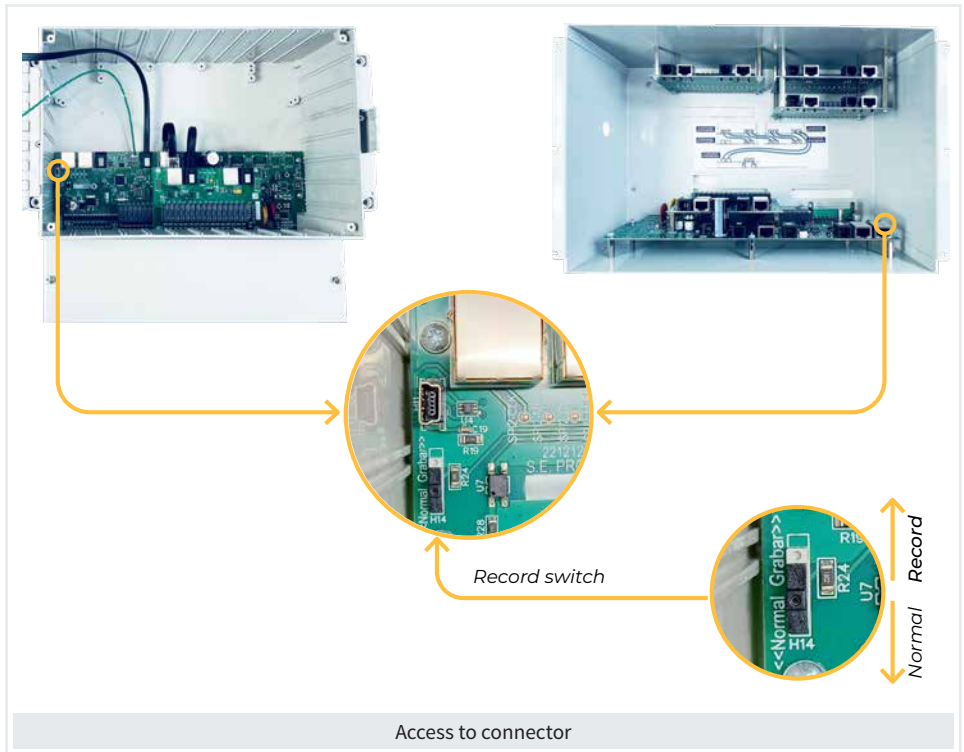
3.1. UPDATING THE RELAY BASE OF THE AGRÓNIC 4500 AND EXPANSION MODULE ME2

To update the relay base, it is necessary to download the corresponding version from the link below, have a USB to mini USB cable, and have internet access.

Agrónic 4500 Base Version - ME2

Once the software has been downloaded, follow the steps below to perform the update:

- **AGRÓNIC:** Remove power from the Agrónic and open it to gain access to the interior, then connect the cable to the mini USB connector housed on the base board as shown in the image.
 - Box model: Remove the 4 screws from the keypad and lift it.
 - Build in model: Remove the 6 rear side screws and separate the keypad from the box.
- **AGRÓNIC:** Move the switch to the 'Record' position and power the Agrónic again.



- **COMPUTER:** Run the 'Agrónic Updater' program.
- **COMPUTER:** Click 'Browse' and select the previously downloaded file.
- Connect the USB to mini USB cable between the computer and the Agrónic.
- **COMPUTER:** Press the 'Connect' button and check that the 'Update' button changes to green.
- **COMPUTER:** Press 'Update' and wait for the process to finish completely (track it using the progress bar).
- **AGRÓNIC:** Remove power from the controller, move the switch back to the 'Normal' position, and disconnect the mini USB cable.
- **AGRÓNIC:** A Power the controller again and verify that the version has been correctly updated by accessing 'CON - 18. Agrónic - press '1' (for the Agrónic 4500) or 'CON - 15. Modules - F4' and select the module number (for the ME2 Expansion module).
- **AGRÓNIC:** Refit the screws.

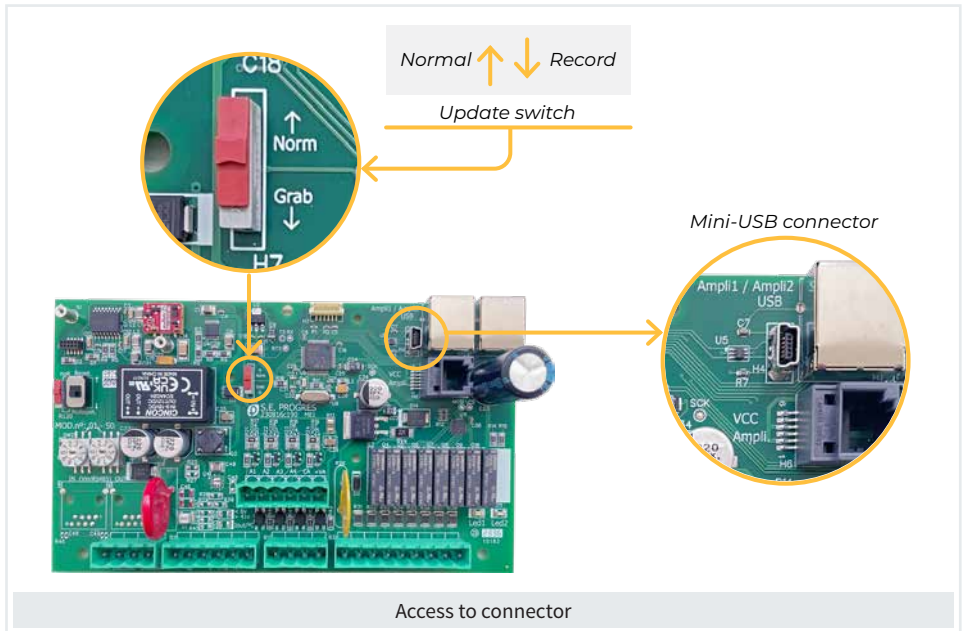
4 UPDATING THE EXPANSION MODULE ME1

To update the ME1 expansion module, it is necessary to download the corresponding version from the following link, have a USB or mini USB cable, and have internet access.

ME1 Expansion Module Version

Once the software has been downloaded, follow the steps below to perform the update:

- **MODULE:** Disconnect power from the module and open it to access the interior. Once open, connect the cable to the mini USB connector located on the board, as indicated in the image.



- **MODULE:** Move the switch to the 'Record' position and power the module again.
- **COMPUTER:** Run the 'Agrónics Updater' program.
- **COMPUTER:** Click 'Browse' and select the previously downloaded file.
- Connect the USB to mini USB cable between the computer and the module.

- **COMPUTER:** Press the 'Connect' button and check that the 'Update' button changes to green.
- **COMPUTER:** Select the 'Run program' option in the updater program.
- **COMPUTER:** Press 'Update' and wait for the process to finish completely (track it using the progress bar).
- **MODULE:** Remove power from the module, move the switch back to the 'Normal' position, and disconnect the mini USB cable.
- **AGRÓNIC:** Power the module again and verify that the version has been correctly updated by going to 'CON - 15. Modules - F4' and select the module number.

5 UPDATING THE AGRÓNIC 5500

To update the Agrónic 5500, it is necessary to download the corresponding version from the links indicated below, have a USB to mini USB cable, and have internet access. Before that, we must know the current version of the controller, ysince depending on it we will download one file or another.

To find out the Agrónic version:
'CON - Agrónic' and press 'Enter'.

```
AGRÓNIC 5500 CONSULTATION
NS: 12345  V:1.34
Vcc: 12.2 V      V.Sal.: si
Base: si
Modem 4G
AgroBee-L 868
```

To find out the type of Agrónic micro:
'CON - Agrónic' and press '1'.

```
INTERNAL CONSULTATION
Ver. IAP: 2.01      Base: 1.04
PCB: c154
FRAM: 76 %
ED: 0000000000
```

Agrónic 5500 v0
"c134_A5500.hex"




For Agrónic 5500 with Version 0

Agrónic 5500 v1
"c154_A5500.hex"



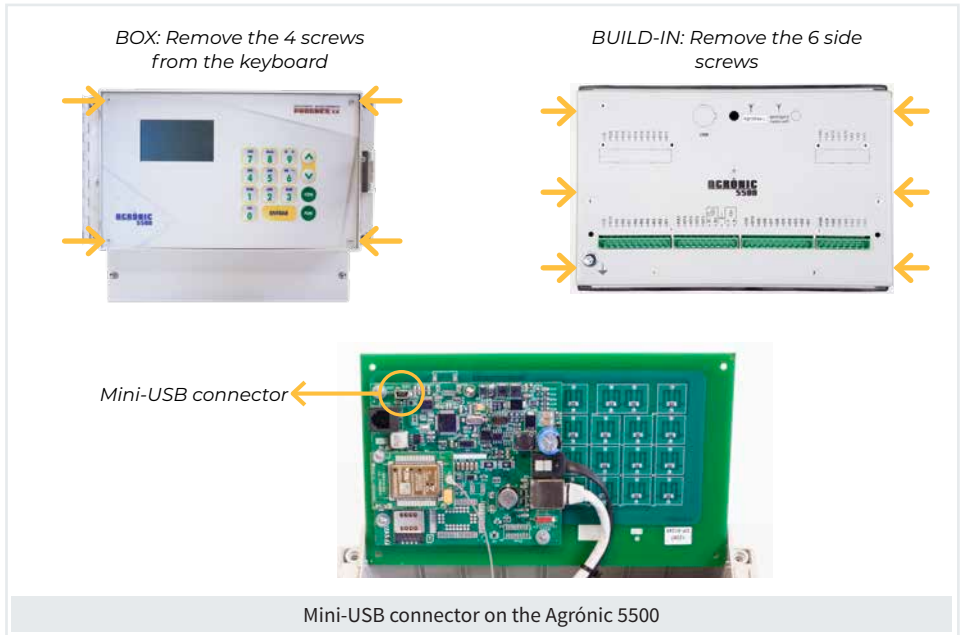
For Agrónic 5500 with Version 1

 **Important**

- Do not install a **v0** version on a unit with version **v1**, or vice versa. Otherwise, the unit could lock up and it would be necessary to send it to the factory for repair.

Once the corresponding software has been downloaded, follow the steps below to perform the update:

- **AGRÓNIC:** Open the controller to access its interior and connect the mini USB cable to the corresponding connector on the board.



- **AGRÓNIC:** With the unit powered, go to the menu: **'FUN - 4. Parameters - 12. Installer (code: 0429) - 10. Update software'**. Confirm both questions that appear on the screen.
- **COMPUTER:** Run the 'Agronic Updater' program.
- **COMPUTER:** Click 'Browse' and select the previously downloaded file.
- Connect the USB to mini USB cable between the computer and the Agronic.
- **COMPUTER:** Press the 'Connect' button and check that the 'Update' button changes to green.
- **COMPUTER:** Press 'Update' and wait for the process to finish completely (track it using the progress bar). Once finished, if the unit does not restart by itself, disconnect it from the power supply and reconnect it manually.
- **AGRÓNIC:** Verify that the version has been correctly updated by going again to the **'CON - 11. Agronic'** section.

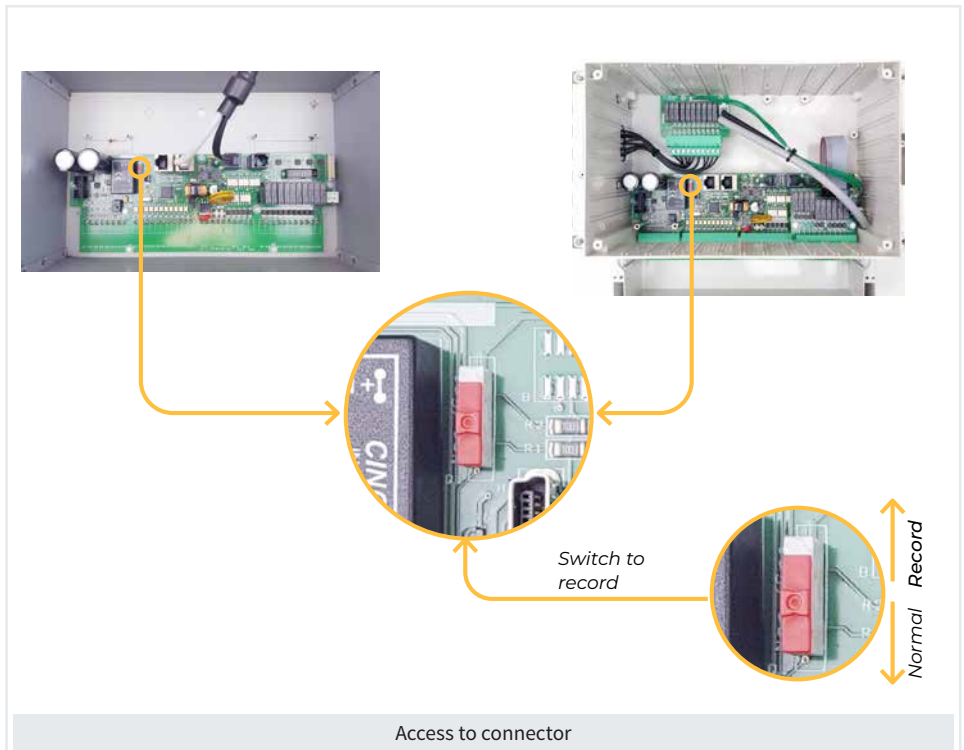
5.1. UPDATING THE RELAY BASE OF THE AGRÓNIC 5500

To update the relay base, it is necessary to download the corresponding version from the link indicated below, have a USB to mini USB cable, and have internet access.

Base version Agrónic 5500

Once the software has been downloaded, follow the steps below to perform the update:

- **AGRÓNIC:** Remove power from the Agrónic and open it to gain access to the interior, then connect the cable to the mini USB connector housed on the base board as shown in the image.
 - Box model: Remove the 4 screws from the keypad and lift it.
 - Build in model: Remove the 6 rear side screws and separate the keypad from the box.
- **AGRÓNIC:** Move the switch to the 'Record' position and power the Agrónic again.



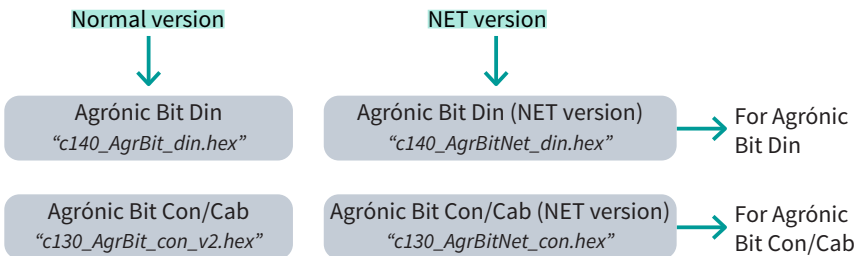
- **COMPUTER:** Run the 'Agrónic Updater' program.
- **COMPUTER:** Click 'Browse' and select the previously downloaded file.
- Connect the USB to mini USB cable between the computer and the Agrónic.
- **COMPUTER:** Press the 'Connect' button and check that the 'Update' button changes to green.
- **COMPUTER:** Press 'Update' and wait for the process to finish completely (track it using the progress bar).
- **AGRÓNIC:** Remove power from the controller, move the switch back to the 'Normal' position, and disconnect the mini USB cable.
- **AGRÓNIC:** Power the controller again and verify that the version has been correctly updated by going to 'CON - 11. Agrónic - press '1''.
- **AGRÓNIC:** Refit the screws.

6 UPDATING THE AGRÓNIC BIT

To update the Agrónic Bit, it is necessary to download the corresponding version from the links indicated below, have a USB to mini USB cable, and have internet access. Before that, we must know the **current version of the controller**, since depending on it we will download one file or another.

To find out the Agrónic version:
'**CON - Agrónic**' and press '**Enter**'.

```
AGRÓNIC CONSULTATION
NS: 12345  V:2.16
V.Bat.: 07.7V      Vcc.: 12.1V
Battery level 70%  P:000%
Modem
AgroBee-L 868
```

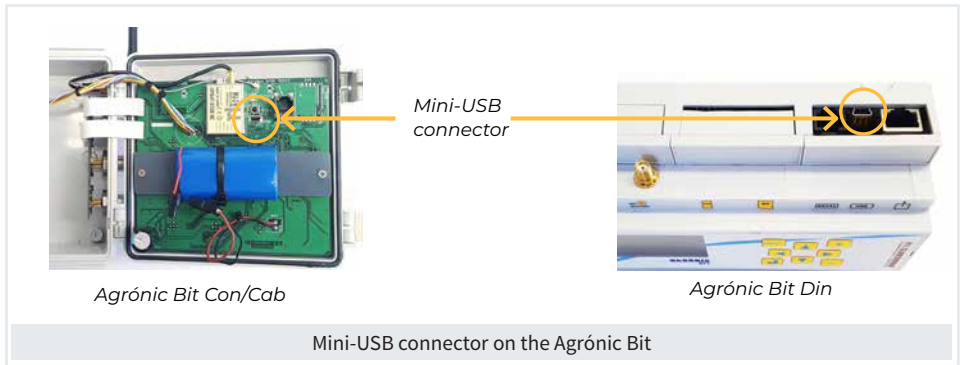


Important

- Do not install a **Din** version on a unit with **Con/Cab** version, or vice versa. Otherwise, the unit could lock up and it would be necessary to send it to the factory for repair.
- On units with a version lower than 1.73, **all unit data such as programs, logs, etc. will be erased** with no possibility of making a backup.

Once the corresponding software has been downloaded, follow the steps below to perform the update:

- **AGRÓNIC:** Open the controller to access its interior and connect the mini USB cable to the corresponding connector on the board.



- **AGRÓNIC:** With the unit powered, go to the menu: '**FUN - 4. Parameters - 9. Installer (code: 0429) - 8. Update software**'.
- **COMPUTER:** Run the 'Agrónic Updater' program.
- **COMPUTER:** Click 'Browse' and select the previously downloaded file.
- Connect the USB to mini USB cable between the computer and the Agrónic.
- **COMPUTER:** Press the 'Connect' button and check that the 'Update' button changes to green.
- **COMPUTER:** Press 'Update' and wait for the process to finish completely (track it using the progress bar). Once finished, if the unit does not restart by itself, disconnect it from the power supply and reconnect it manually.
- **AGRÓNIC:** Verify that the version has been correctly updated by going again to the '**CON - 7. Agrónic**' section.

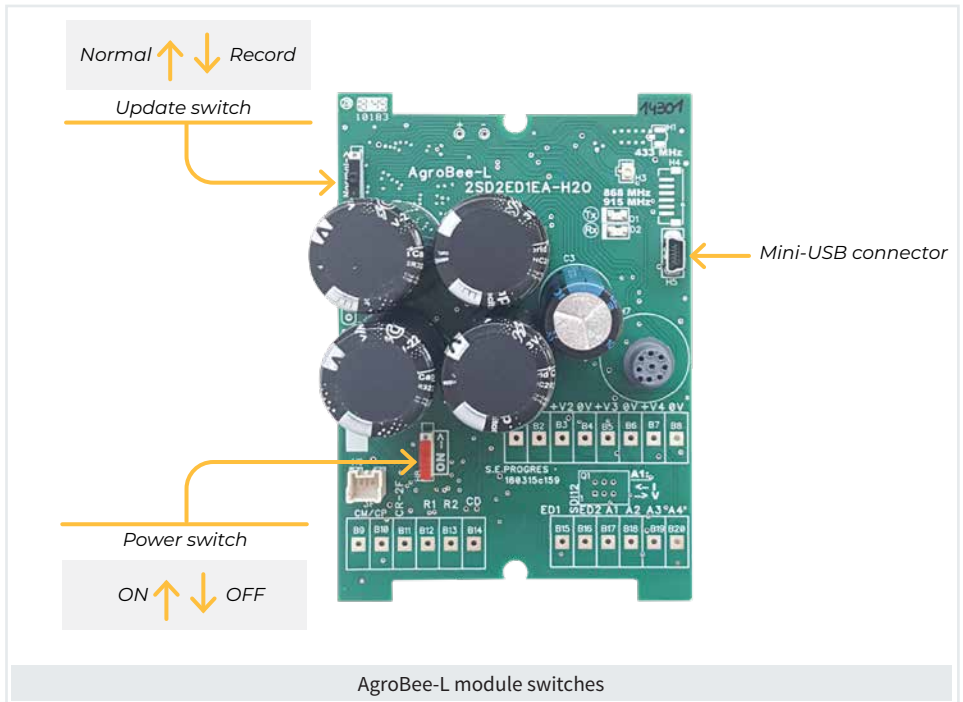
7 UPDATING THE AGROBEE-L

To update the AgroBee L module, it is necessary to download the corresponding version from the following link, have a USB to mini USB cable, and have internet access.

AgroBee-L Module

Once the corresponding software has been downloaded, follow the steps below to perform the update:

- **MODULE:** Go to the module and turn it off (OFF) using the power switch (from ON to OFF).
- **MODULE:** Place the other switch in the recording position (according to the drawing, downwards). By default, it is in the 'Normal' position.
- **MODULE:** Turn the module on (ON) using the switch (from OFF to ON).



- **COMPUTER:** Run the 'Agrónic Updater' program.
- **COMPUTER:** Click 'Browse' and select the previously downloaded file.
- Connect the USB to mini USB cable between the computer and the module.
- **COMPUTER:** Press the 'Connect' button and check that the 'Update' button changes to green.
- **COMPUTER:** Press 'Update' and wait for the process to finish completely (track it using the progress bar).
- **MODULE:** When finished, turn the module off (from ON to OFF), disconnect the mini USB cable, and set the switch to the 'Normal' position.
- **MODULE:** Turn the module on (ON) using the switch (from OFF to ON).
- **AGRÓNIC:** Wait for the module to establish communication with the controller. Then, access the 'CON - Communication/Modules' section again and select the AgroBee L module number to check that it has been updated correctly.

7.1. UPDATING THE WIRELESS READER

To update the wireless reader, it is necessary to download the corresponding version from the following link, have a USB to mini USB cable, and have internet access.

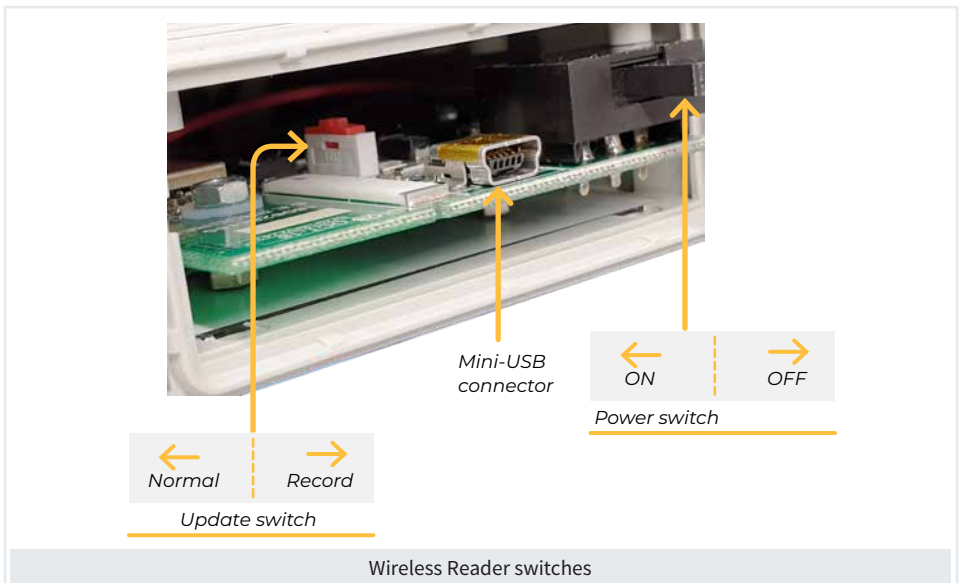
Wireless reader

Once the corresponding software has been downloaded, follow the steps below to perform the update:

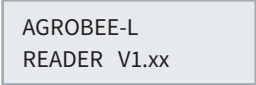
- **READER:** Go to the reader and turn it off (OFF) using the power switch (from ON to OFF).
- **READER:** Remove the top cover of the reader to access the interior.



- **READER:** Set the switch inside the reader to the recording position (by default, it is in the 'Normal' position) and set the other power switch to ON (from OFF to ON).



- **COMPUTER:** Run the 'Agrónic Updater' program.
- **COMPUTER:** Click 'Browse' and select the previously downloaded file.
- Connect the USB to mini USB cable between the computer and the reader.
- **COMPUTER:** Press the 'Connect' button and check that the 'Update' button changes to green.
- **COMPUTER:** Press 'Update' and wait for the process to finish completely (track it using the progress bar).
- **READER:** When finished, turn the reader off (from ON to OFF), disconnect the mini USB cable, and set the switch to the 'Normal' position.
- **READER:** Turn the reader on using the switch (from OFF to ON).
- **READER:** Check the updated version on the main screen.



AGROBEE-L
READER V1.xx

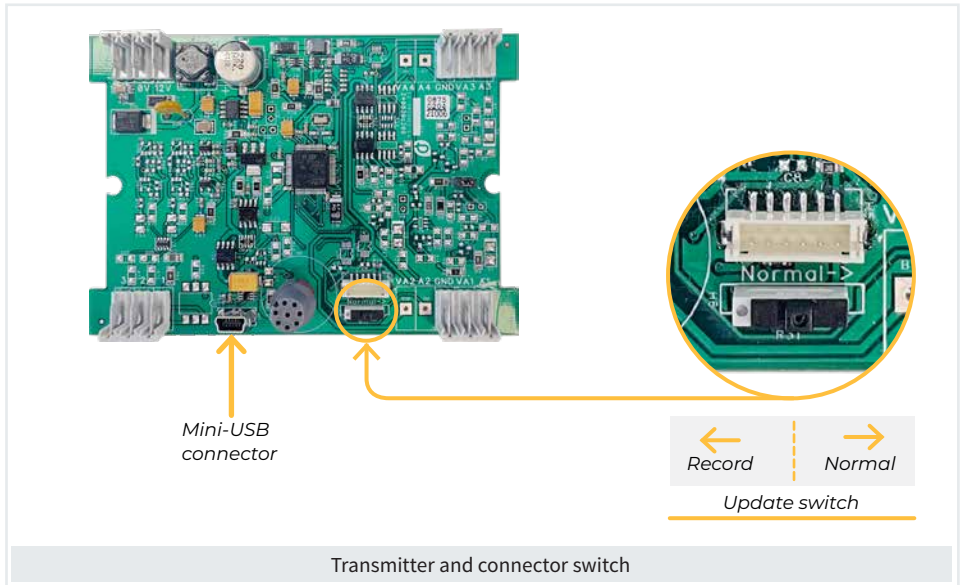
8 UPDATING THE MULTIFUNCTION TRANSMITTER

To update the transmitter, it is necessary to download the corresponding version from the link indicated below, have a USB to mini USB cable, and have internet access.

Multifunction Transmitter

Once the corresponding software has been downloaded, follow the steps below to perform the update:

- **TRANSMITTER:** Remove power from the transmitter and remove the 4 screws from the top cover.
- **TRANSMITTER:** Set the other switch inside the transmitter to the recording position (by default, it is in the 'Normal' position).
- **TRANSMITTER:** Power the transmitter again and connect the cable, with the USB end to the computer and the mini USB end to the transmitter, as shown in the following image.



- **COMPUTER:** Run the 'Agrónic Updater' program.
- **COMPUTER:** Click 'Browse' and select the previously downloaded file.

- **COMPUTER:** Press the 'Connect' button and check that the 'Update' button changes to green.
- **COMPUTER:** Press 'Update' and wait for the process to finish completely (track it using the progress bar).
- **TRANSMITTER:** When finished, remove power from the transmitter, disconnect the mini USB cable, and set the switch to the 'Normal' position.
- **TRANSMITTER:** Power the transmitter and refit the 4 screws on the top cover.

Sistemes Electrònics Progrés, S.A.

Polígon Industrial, C/ de la Coma, 2 | 25243 El Palau d'Anglesola | Lleida | España
Tel. 973 32 04 29 | info@progres.es | www.progres.es